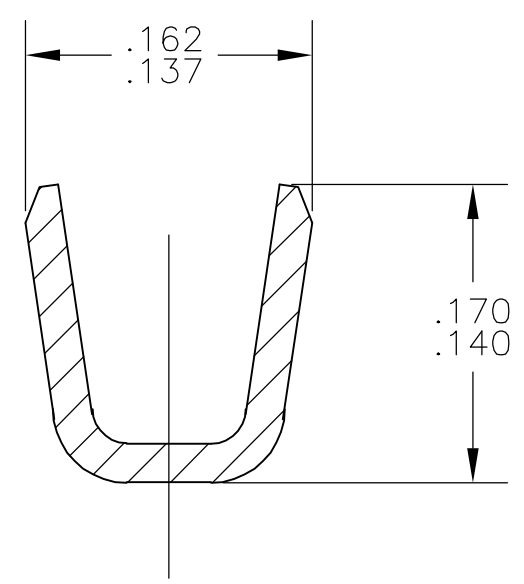
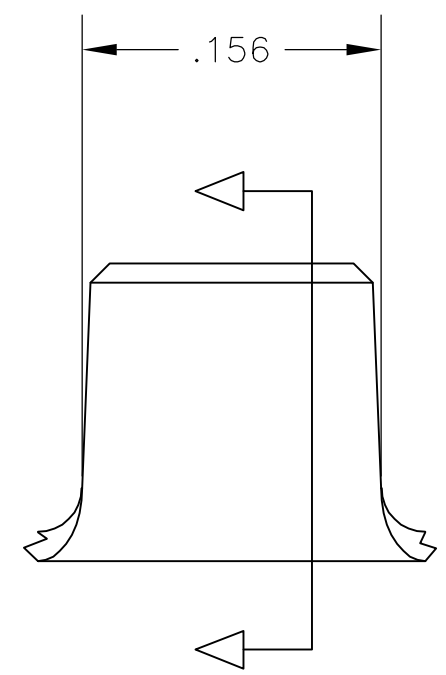
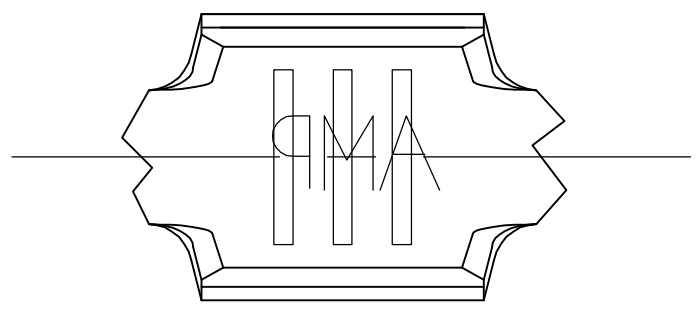


THIS DRAWING IS UNPUBLISHED. RELEASED FOR PUBLICATION  
 © COPYRIGHT BY TYCO ELECTRONICS CORPORATION. ALL RIGHTS RESERVED.

LOC	DIST	REVISIONS					
AF	50	P	LTR	DESCRIPTION	DATE	DWN	APVD
			B1	REVISED PER ECR-05-012571	14NOV05	MF	GP

- CONTINUOUS STRIP ON REELS.
- WIRE RANGE FOR NEW APPLICATIONS: 2500-4700 CMA  
(WIRE RANGE APPROVED FOR APPLICATIONS IMPLEMENTED PRIOR TO 2005: 2000-5300 CMA).
- CRIMPING INFO: .120 'F'.



40868  
 PART NUMBER

THIS DRAWING IS A CONTROLLED DOCUMENT.		DWN M.S. FEHER 180CT2004	Tyco Electronics Corporation Harrisburg, PA 17105-3608			
DIMENSIONS: INCHES		CHK G.D. PORTA 180CT2004				
		APVD G.D. PORTA 180CT2004	NAME -			
TOLERANCES UNLESS OTHERWISE SPECIFIED:		PRODUCT SPEC -	-			
0 PLC ± - 1 PLC ± - 2 PLC ± - 3 PLC ± .010 4 PLC ± - ANGLES ± 1' 0'		APPLICATION SPEC 114-2088	SIZE A3	CAGE CODE 00779	DRAWING NO C-40868	RESTRICTED TO -
MATERIAL .020 BRASS		FINISH TIN PLATE	WEIGHT -		SCALE 1:1	
CUSTOMER DRAWING			SHEET 1 of 1		REV B1	